

BCFR..



BCFR1



BCFR2



Emergenza - Emergency enerBI FLUO
Pag. 220

Ballast elettronico ad alta efficienza per tubi fluorescenti e compatte fluorescenti.

- Auto adattante a potenze diverse.
- Con morsetti a innesto rapido per collegamento cavi.
- Lunghezza max cavi lampada cm 200.
- Accensione con preriscaldamento dei catodi.
- Assenza dell'effetto stroboscopico.
- Contenitore in plastica

Protezioni:

lampada scollegata, catodi interrotti, fine vita lampada e effetto rettificante.

Norme di riferimento:

Sicurezza: EN 61347-1; EN 61347-2-3
Radio disturbi: EN 55015; EN 55015-A1; EN 55015-A2
Armoniche: EN 61000-3-2
Immunità: EN 61547
Prestazioni: EN 60929.

High efficiency electronic ballast for compact fluorescent tubular and compact lamps.

- Self adapting to lamps with different power.
- Equipped with push in terminal.
- Max length lamp cables cm 200.
- High efficiency. Pre-heating of the cathodes.
- No flickering.
- Plastic casing

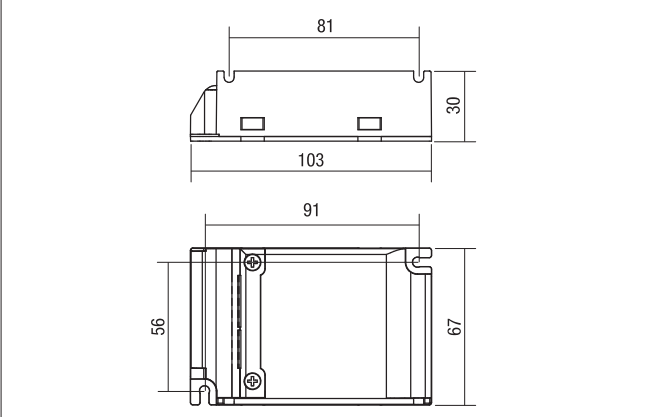
Protections:

lamp disconnection, cathodes breaking, lamp end of life and rectifying effect.

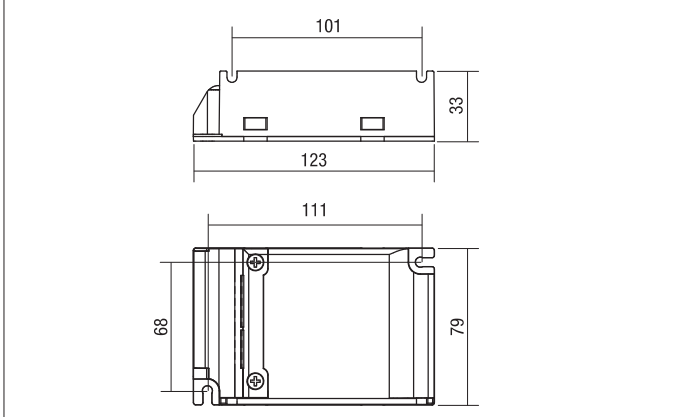
Standard reference:

Safety: EN 61347-1; EN 61347-2-3
Radio Interferencies: EN 55015; EN 55015-A1; EN 55015-A2
Harmonics: EN 61000-3-2
Immunity: EN 61547
Performance: EN 60929.

Dimensioni (mm) - Dimensions (mm)
S/BCFR1/M18 - S/BCFR1/M42 - S/BCFR2/M18 - S/BCFR2/M26



Dimensioni (mm) - Dimensions (mm)
S/BCFR2/M32 - S/BCFR2/M42



BCFR1

Articolo Article	V	A	Hz	W Lamp	W max	λ	ta °C	tc °C	LPH mm			Codice Code
S/BCFR1/M18	220÷240	0,07÷0,1	50÷60	13÷18	13÷18	> 0,9c	-15÷60	80	67x103x30	10	148	S/BCFR1/M18
S/BCFR1/M42	220÷240	0,12÷0,23	50÷60	22÷49	26÷49	> 0,9c	-15÷60	80	67x103x30	10	148	S/BCFR1/M42

BCFR2

Articolo Article	V	A	Hz	W Lamp	W max	λ	ta °C	tc °C	LPH mm			Codice Code
S/BCFR2/M18	220÷240	0,12÷0,18	50÷60	2x13÷2x42	28÷36	> 0,9c	-15÷60	80	67x103x30	10	140	S/BCFR2/M18
S/BCFR2/M26	220÷240	0,19÷0,23	50÷60	2x26	50	> 0,9c	-15÷60	80	67x103x30	10	140	S/BCFR2/M26
S/BCFR2/M32	220÷240	0,19÷0,28	50÷60	2x22÷2x32	44÷64	> 0,9c	-15÷60	80	79x123x33	10	206	S/BCFR2/M32
S/BCFR2/M42	220÷240	0,15÷0,50	50÷60	2x18÷2x42	38÷90	> 0,9c	-15÷60	80	79x123x33	10	206	S/BCFR2/M42

Lampade - Lamps

S/BCFR1/M18				
TYPE	OSRAM	PHILIPS	W	SOCKET
TC DEL	DULUX D/E	PL-C/4p	13	G24q1
TC TEL	DULUX T/E	PL-T/4p	13	Gx24q1
TC DEL	DULUX D/E	PL-C/4p	18	G24q2
TC TEL	DULUX T/E	PL-T/4p	18	Gx24q2

S/BCFR1/M42				
TYPE	OSRAM	PHILIPS	W	SOCKET
TC L	DULUX L	PL-L	24	2G11
TC F	DULUX F	-	24	2G10
TC L	DULUX L	PL-L	36	2G11
TC F	DULUX F	-	36	2G10
TC L	DULUX L	PL-L	40	2G11
TC DEL	DULUX D/E	PL-C/4p	26	G24q3
TC TEL	DULUX T/E	PL-T/4p	26	Gx24q3
TC TEL	DULUX T/E	PL-T/4p	32	Gx24q3
TC TEL	DULUX T/E	PL-T/4p	42	Gx24q4
T5	FQ	TL5 HO	24	G5
T5	FQ	TL5 HO	39	G5
T5	FQ	TL5 HO	49	G5
T8	L	TL-D	36	G13
T5C	FC C	TL5 C	22	2Gx13
T5C	FC C	TL5 C	40	2Gx13
TR	LC	TL-E	32	G10q
TR	LC	TL-E	40	G10q
TC-DDE	-	-	28	Gr10q

S/BCFR2/M18				
TYPE	OSRAM	PHILIPS	W	SOCKET
2xTC TEL	DULUX T/E	PL-T/4p	13	Gx24q-1
2xTC TEL	DULUX T/E	PL-T/4p	18	Gx24q-2
2xTC DEL	DULUX D/E	PL-C/4p	13	G24q-1
2xTC DEL	DULUX D/E	PL-C/4p	18	G24q-2

S/BCFR2/M26				
TYPE	OSRAM	PHILIPS	W	SOCKET
2xTC DEL	DULUX D/E	PL-T/4p	26	G24q-3
2xTC TEL	DULUX T/E	PL-T/4p	26	Gx24q-3

S/BCFR2/M32				
TYPE	OSRAM	PHILIPS	W	SOCKET
2xTC DEL	DULUX D/E	PL-T/4p	26	Gx24q-3
2xTC TEL	DULUX T/E	PL-T/4p	26	Gx24q-3
2xTC TEL	DULUX T/E	PL-C/4p	32	Gx24q-3
2xT5	FQ	TL5 HO	24	G5
2xT5-C	FC	TL5 C	22	2Gx13
2xTC-L	DULUX L	PL-L	24	2G11
2xTC-F	DULUX F	-	24	2G10

S/BCFR2/M42				
TYPE	OSRAM	PHILIPS	W	SOCKET
2xTC DEL	DULUX D/E	PL-C/4p	26	G24q-3
2xTC TEL	DULUX T/E	PL-T/4p	26	Gx24q-3
2xTC TEL	DULUX T/E	PL-T/4p	32	Gx24q-3
2xTC TEL	DULUX T/E	PL-T/4p	42	Gx24q-4
2xTC-L	DULUX L	PL-L	18	2G11
2xTC-L	DULUX L	PL-L	24	2G11
2xTC-L	DULUX L	PL-L	36	2G11
2xTC-L	DULUX L	PL-L	40	2G11
2xTC-F	DULUX F	-	18	2G10
2xTC-F	DULUX F	-	24	2G10
2xTC-F	DULUX F	-	36	2G10
2xT5	FQ	TL5 HO	24	G5
2xT5	FQ	TL5 HO	39	G5
2xT8	L	TL-D	18	G13
2xT8	L	TL-D	36	G13
2xT5-C	FC	TL5 C	22	2Gx13
2xT5-C	FC	TL5 C	40	2Gx13
2xTR	L..C	TL-E	22	G10q
2xTR	L..C	TL-E	32	G10q
2xTR	L..C	TL-E	40	G10q

Multipower

Alimentatori per lampade FLUORESCENTI - Ballast for FLUORESCENT lamps